



Vexus VB12-1550 (511*311)

Vexus VB12 Brief Introduction:

Profile Projector VB12 series are precise and excellent non-contact optical measuring instrument integrated with the technology of optic, mechanic, electricity and computer.

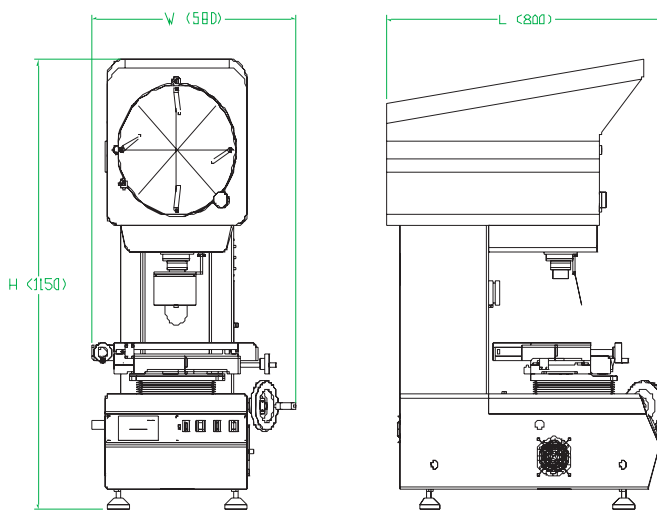
It is widely used at the field of mechanism, meter, electronic, rubber industry for quality control, it can inspect all kinds of surface and outline of complicated work-pieces, such as, cam, screw thread, gear, perform milling cutter and so on, and it is an effective metrical and analytic system for education, research institute and lab.

Vexus VB12 Characteristics:

- Fashionable design with accurate optical path;
- 300mm diameter screen with digital protractor;
- Four size of precision movement stages;
- Double steel guide for stage lifting focus system;
- Halogen profile and surface illumination;
- Geometric multifunctional data processing system ;
- Available rotary table, edge detecting sensor, etc.

Vexus VB12 Technical Specification

Reverse Image	VB12-1550 (511*311)	VB12-1010 (511*331)	VB 12-1510 (511*351)	VB12-2010(511*371)
Obverse Image	VB12-1550Z(511*321)	VB12-1010Z(511*341)	VB12-1510Z(511*361)	VB12-2010Z(511*381)
Metal Stage Dimension	340x152mm	230x230mm	354x228mm	350x170mm
Glass Stage Dimension	196x96mm	145x145mm	210x160mm	246x120mm
Stage Travel: X-axis	150mm	100mm	150mm	200mm
Stage Travel: Y-axis	50mm	100mm	100mm	100mm
Stage Travel: Z-axis	90mm(for focusing)	90mm(for focusing)	90mm(for focusing)	90mm(for focusing)
Accuracy	≤3+L/75(um)	≤3+L/75(um)	≤3+L/75(um)	≤3+L/75(um)
Screen	Screen Diameter: Φ312mm, Effective Range> Φ300(with * Reticle)			
	Rotary Range of Screen: 0~360°			
	Resolution of Rotary Indication: 1' or 0.01°			
Digital Readout	DP300 (561-301) Multifunctional Data Processing System			
Illumination	Surface and Contour Illumination: 24V/150W Halogen lamp			
Power	AC110V/60Hz; 220V/50Hz, 400W			
Cooling	Forced Cooling(3-axis-fans)			
Gross/Net Weight	200/150Kg	210/155Kg	215/165Kg	220/170Kg
Dimension(LxWxH)	800x580x1150mm	800x580x1150mm	800x580x1150mm	800x580x1150mm
Packing /Dimension(LxWxH)	990x765x1340mm	990x765x1340mm	990x765x1340mm	990x765x1340mm



Vexus VB12-2010 (511*371)

Objective Magnification	VX12-10X(Std.)	VX12-20X(Opt.)	VX12-50X(Opt.)	VX12-100X(Opt.)
Order #	511-W11	511-W21	511-W31	511-W41
Visual field	Ø30 mm	Ø15 mm	Ø6 mm	Ø3 mm
Working Distance	77.7 mm	44.3 mm	38.4 mm	25.3 mm
Transmitted lens	10x(std.)	20x(opt.)	50x(opt.)	100x(opt.)
Order #	511-T11	511-T21	511-T31	511-T41

Standard Delivery	Order #	Quantity	Standard Delivery	Order #	Quantity
Digital Readout DP 100	561-101	1SET	VX12-10X Objective	511-W11	1SET
Screen Clamp	581-301	4PCS	Built-in Mini-printer	581-901	1PC
Power Cable	581-101	1PC	VX12-10X transmitted lens	511-T11	1PC
DRO Operation Manual	DP300	1COPY	Instrument Manual	VB12	1COPY

Optional Accessories	Order #	Optional Accessories	Order #	Optional Accessories	Order #
Measuring Software	QM1.0	VX12-20x Objective	511-W21	Rotary Table RT1	581-511
Foot-Switch ST150	581-541	VX12-50x Objective	511-W31	Rotary Table RT2	581-521
Digital Readout DP300	561-301	VX12-100x Objective	511-W41	Working Cupboard ST02	581-621
Edge Detector SED-300	563-301	Over-Chart ST1 40	581-311	Working Cupboard ST03	581-631
Holder Clamp	582-101	V-shape Clamp	582-102	Swivel center support	582-103